

# SSM Braided Supply Connectors

## Specification Sheet

### FEATURES & BENEFITS

- 3/8" Compression x 3/8" Compression
- Max Working Pressure 125 PSI
- Burst Pressure is 3.5 MPa
- Approvals: cUPC, NSF 14, ASME A112.18.6/CSA B125.6, NSF 61



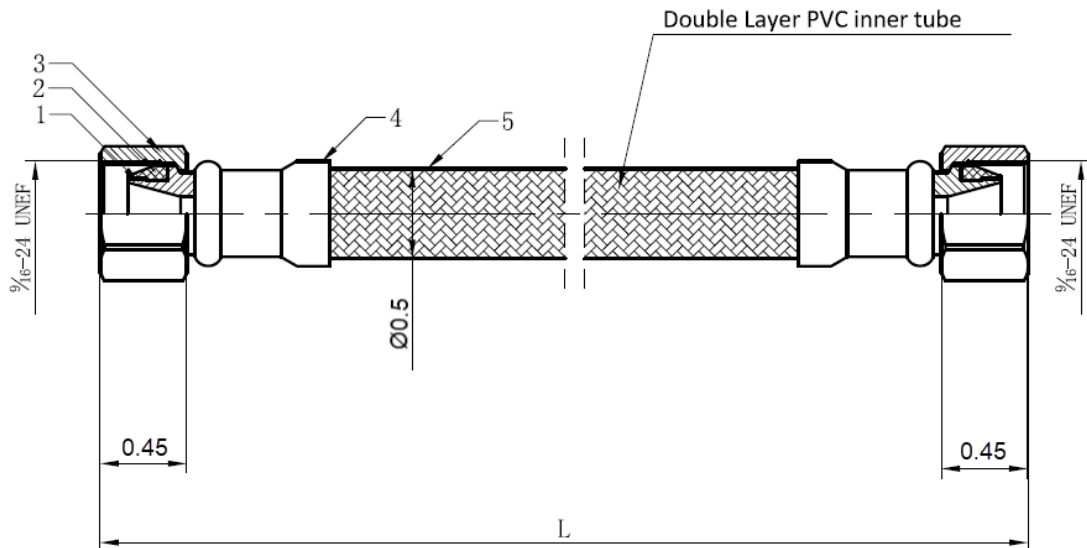
**SSM-12LF** - 12" Long

**SSM-16LF** - 16" Long

**SSM-20LF** - 20" Long

### MATERIAL SPECIFICATIONS

No.	Part	Material
1	Core	C37100
2	Washer	EPDM
3	Nut	HPb57-3
4	Ferrule	Stainless Steel 304
5	Hose	Stainless Steel 304 Braiding PVC Inner Tube



**MATCO**  
**NORCA**